

AVSA 2000/R-W Addressable Alarm Sounders

ANALOGIC

AVSA 2000/R or W sounder is certified according European product standards EN 54-3 e EN 54-17.

AVSA 2000/R or W sounder is compliant to European directive 2002/95/CE, concerning the use of dangerous substances inside electrical products, in particular about the use of lead.

AVSA 2000/R or W sounder is an addressable acoustic signalisation device that takes an address when connected directly on analogue DEFnet loop. It's possible to connect it also on a open line.

Sounder electronic addressing can be made on place or off-line using a dedicated addressing tool. The on-board isolator allows realizing an extremely reliable installation in any circumstance (line cut, short circuit, etc.)

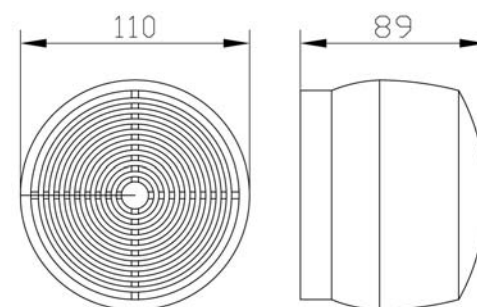
AVSA 2000/R or W sounder have 6 different types of sound, as indicated in table below.

N° TONES

DESCRIPTION

1	Alternate Tone 800/970 Hz ÷ 2Hz	BS5839 Part #1 1988
2	Sweeping 800/970 Hz ÷ 7Hz	Fast sweep (LF) BS5839 Part #1 1988
3	Sweep 1200/500 Hz ÷ 1Hz	Din tone (*BMA/STE)
4	Continuous a 970 Hz	BS5839 Part #1 1988
5	Intermittent 660 Hz 6,5s ON /13s OFF	Swedish Alarm Tone
6	Continuous a 4 KHz	For AGS_LCD

It's possible to modify the sound intensity using a potentiometer in the rear part. The acoustic pressure is 75 dB ÷ 100 dB to 1 m with power supply 15 Vdc ÷ 26 Vdc, depending of selected sound.



TECHNICAL CHARACTERISTICS

Power Supply:	16 Vdc ÷ 28 Vdc
Nominal Voltage:	24 Vdc
Standby Consumption:	600 µA ÷ 24 Vdc
Operational Consumption:	4 mA ÷ 24 Vdc for an average acoustic pressure of 70dB to 1m
Operational Temp.:	0°C ÷ +50°C
Operational Humidity:	90% HR
Storage Temp.:	+10°C ÷ +50°C
Storage Humidity:	85% HR
Weight (w/ base):	200 g
Dimensions (ØxH):	110 x 89 mm
IP protection:	IP 21C
Material:	ABS V0
Colour:	White or Red
CE certificate:	Pending

DEF International Operations

Parc d'Activités du Moulin de Massy - 9, rue du Saule Trapu BP211 - 91882 Massy Cedex France

Tel: 0033 (0)1 60 13 81 66 - Fax: 0033 (0)1 60 13 81 49 - def.international@def-online.com - www.def-online.net