

## FRIR200 Addressable analogical flame detector VEGA series

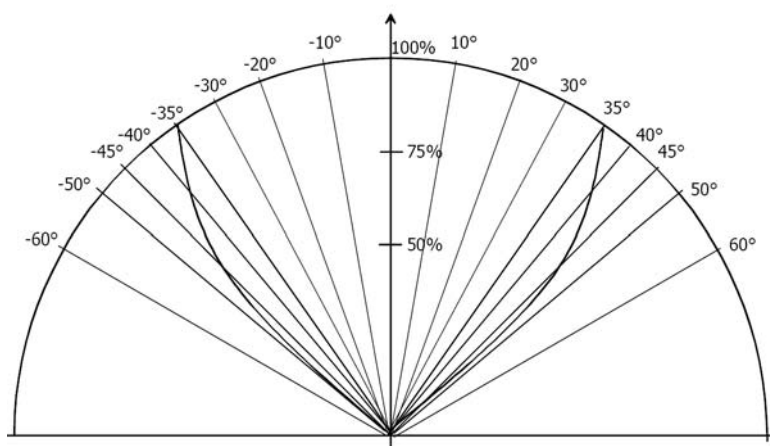
**FRIR200** is an addressable analogical punctual detector, certified in respect of European product standard EN 54-10. It is endowed with agreement CE mark according to ZA directive enclosure "The Construction Products" 80/106/CEE.

**FRIR200** detector is compliant to European directive 2002/95/CE, concerning the use of dangerous substances inside electrical products, in particular about the use of lead.

**FRIR200** analyzes the infra-red radiations emitted by flames of fire. It uses cells sensible to two different infra-red wave-lengths energy variations.

Combination of two cells allows measuring the presence of CO<sub>2</sub> generated, exclusively, by a fire.

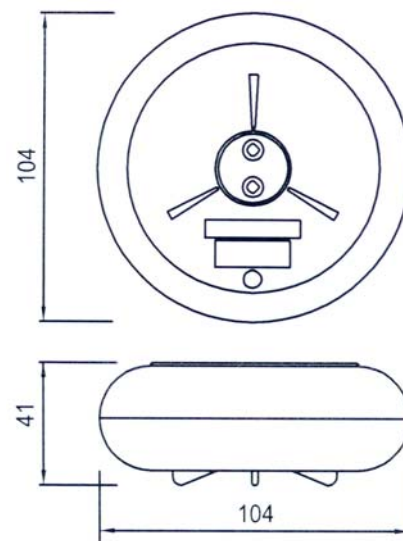
The analysis of received signals is associated to analogical and digital treatments to generate alarm information sure and immediate, avoiding undesired phenomena.



Detection angle, according to EN54-10 standard, is  $\pm 30^\circ$  regarding the detector optical axis. This angle becomes  $\pm 45^\circ$  at half of maximal distance.

The electronic addressing of detector can be made on site or in office using a dedicated tool.

**The addressing operation, combined with some automatic procedures, allows verifying the installation and wiring of detector saving time.**



### TECHNICAL CHARACTERISTICS

Power Supply:	15 ÷ 28 Vdc
Standby Consumption:	515 µA to 20 Vdc
Alarm Consumption:	8 mA normal mode 32 mA back up alarm
Sensitivity:	
Class 1:	< 12 m.
Class 2:	12 m ÷ 17 m.
Class 3:	17 m ÷ 25 m.
Output:	programmable open collector 24 mA 24 Vcc
Cable:	2x0,8 mm STP
Dimensions (ØxH):	104 x 41 mm
Operational Temp.:	-10°C ÷ +55°C
Storage Temp.:	+10°C ÷ +50°C
IP Protection:	IP20
Material:	ABS AE
Colour:	White RAL 9016
Weight:	80 g
Standard:	EN 54-10
NF Certificate:	L 038 C1
CE Certificate:	033 CPD 075234

#### DEF International Operations

Parc d'Activités du Moulin de Massy - 9, rue du Saule Trapu BP211 - 91882 Massy Cedex France

Tel: 0033 (0)1 60 13 81 66 - Fax: 0033 (0)1 60 13 81 49 - def.international@def-online.com - [www.def-online.net](http://www.def-online.net)