

## OC-O Conventional optical smoke detector

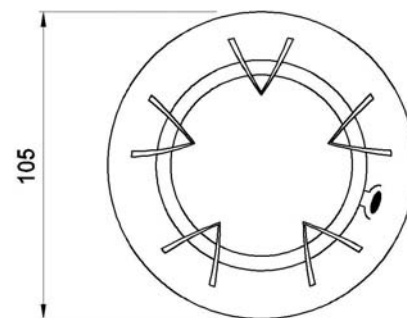
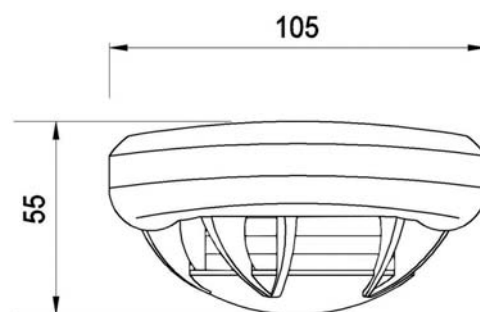
**OC-O** is a punctual optical conventional detector, certified in respect of European product standard EN 54-7. It is endowed with agreement CE mark according to ZA directive enclosure "The Construction Products" 89/106/CEE.

**OC-O** detector is compliant to European directive 2002/95/CE, concerning the use of dangerous substances inside electrical products, in particular about the use of lead.

**OC-O** detection principle is based on the reflexion of an infra-red (IR) light source on the smoke particles (Tyndall effect).

In detail it's sensible to cold and visible smokes with high particles dimension ( $0.3 \mu\text{m} \div 2 \mu\text{m}$ ).

Alarm threshold is set to have an attenuation value of  $0.2 \text{ db/m} \pm 0.03 \text{ db/m}$  according with the "Parameter" spreading" of EN 54-7 standard.



### TECHNICAL CHARACTERISTICS

Power Supply:	15 ÷ 27 Vdc
Standby Consumption:	20 ÷ 30 $\mu\text{A}$
Alarm Consumption:	32 mA $\pm$ 2 mA @ 20 Vdc
Cable:	2x0.8 mm STP
Dimensions ( $\varnothing$ xH):	105 x 55 mm
Application Temp.:	-30 °C ÷ +60 °C
IP Protection:	IP32
Material:	ABS
Colour:	White RAL 9016
Weight:	130 g
Standard:	EN 54-7
CE Certificate:	0333 CPD 075 022